

GEIST MONITOR | Watchdog

Watchdog 100 / Watchdog 100-P

The Watchdog 100 is a self-contained unit with an on-board temperature/humidity/dew point sensor. It has an input capacity of eight external sensors and relay output for triggering external devices, such as an auto-dialer.



- Four analog inputs for dry-contact or 0-5 VDC sensors
- 2 Plug-n-Play Ports (Connect up to four sensors by daisy-chaining or using a splitter)
- Configure alerts via email, email-to-SMS, SNMP and voice*
- Dry-contact relay output for external device control

Firmware Features

- Real-Time Sensor Data Feeds
- Data Logging & Graphing
- CSV & JSON Data Logs
- SNMP (v1, v2c, v3)
- Email & Email-to-SMS Alerts
- Alarm Escalations
- Alarm Repeat and Delay
- Alarm Valid Hours
- 3 Access Account Levels
- Display in Metric or Imperial
- Multiple Languages
- Encryption via TLS/SSL
- Interface with IP Surveillance Cameras
- Remote Firmware Updates


The screenshots show the following features:

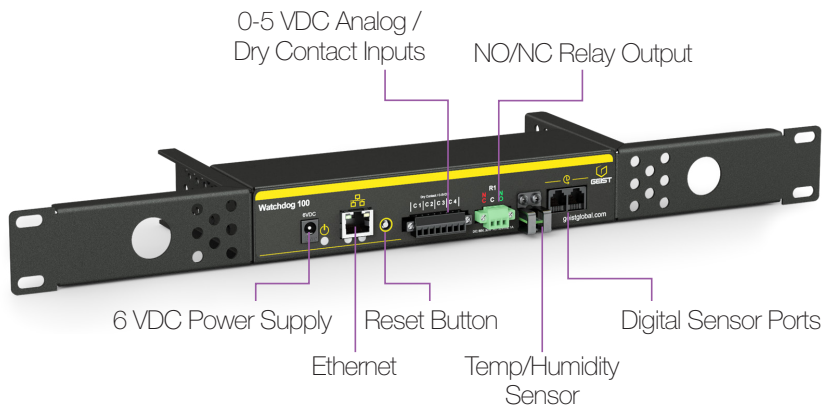
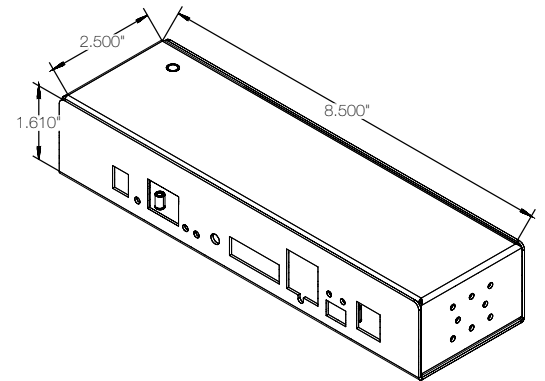
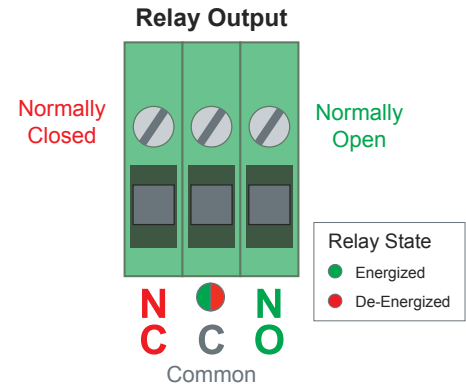
- A**: A data graph showing trends for Temperature, Humidity, and Dewpoint over a 24-hour period.
- B**: Four IP surveillance camera feeds showing different environments: a server room, a laboratory, an outdoor industrial site, and a warehouse.
- C**: A table displaying live sensor values and logging for Watchdog 100.
- D**: An Alarms & Warnings section showing active alerts with details like Label, Trigger, Severity, Type, Value, Valid Time, and Notify.
- E**: A Locale settings section for configuring Default Language and Temperature Units.

- A** Graph Showing Data Trends
- B** Interface with IP Surveillance Cameras
- C** Live Sensor Values and Logging
- D** Alarming
- E** International Support

*Relay-controlled auto-dialer required.

Specifications

On-Board Sensors	
Temperature	
Range	-20 to 85°C (-4 to 185°F)*
Accuracy (typical)	± 0.3°C (± 0.5°F)
Relative Humidity	
Range	0 to 100% RH
Accuracy (typical)	± 2.0% RH
Dewpoint	
Calculated value, based on temperature & humidity	
Hardware Features	
Ethernet	10/100 Mbps
Power	
Input	6 - 12 VDC (250mA typ., 350mA max.)
Power Supply Options	North American, British, Universal, None
Power Over Ethernet	IEEE802.3af (Watchdog 100-P Only)
“Reset” Button	Restore all to factory defaults
Physical	
Dimensions (WxHxD)	8.55" (21.6 cm) x 2.5" (6.35 cm) x 1.13" (2.87 cm) With Included Mounting Brackets- 19" W (48.26 cm)
Weight	2 lbs (0.9 kg)
Mounting	Use Provided Brackets
Warranty	1 Year Standard Warranty
Regulatory	



*Operating range of standard 6V power supply is 0-50°C.
 Operation across wider range requires an alternative 6V power supply with extended temperature range.

Please note the information contained herein is for informational purposes only. Technical claims listed depend on a series of technical assumptions. Your experience with these products may differ if you operate the products in an environment which is different from the technical assumptions. Geist reserves the right to modify these specifications without prior notice. Geist makes no warranties, express or implied, on the information contained in this document.