

LIEBERT® RX REMOTE POWER DISTRIBUTION CABINET

Industry's Smallest Footprint; 400 Amp, 84 Poles



OVERVIEW

A Space-Saving, Flexible Solution for High Density Power Distribution

The influx of client/server rack equipment is changing the content of data centers. There are more devices than before, and they consume more power than their predecessors. Space is at a premium, so the data center power support infrastructure must be compact and flexible, to meet changing room demands.

The Liebert® RX supplies packaged power distribution in the smallest possible footprint, with 400 Amp and 84 poles in one panelboard, and only requiring 24"x12" of space.

Flexibility

- 84 poles in a 24"x12" footprint. Up to 168 poles in a 24"x24" footprint
- Multiple configuration options allow optimization of data center space – two, three or four units may be installed in space-saving clusters
- Floor or wall mount, or attach to supports at end of rack aisle
- Fits standard raised-floor tile, while permitting removal of adjacent floor tiles

Higher Availability

- The 100% rated 400 Amp main circuit breaker better coordinates with today's 30A and 60A branch breakers than smaller 225A mains, providing better selective tripping
- Each panelboard is totally isolated – any potential arc flash is contained within the cabinet when installed back-to-back and each is receiving a separate feed from a dual bus system
- Factory assembled and tested to ensure reliability and consistent performance
- Wide open access channels provide six inches of access space, and individual hinged covers, allowing easy addition of future circuits

Lowest Total Cost Of Ownership

- Compact cabinet conserves valuable floor space
- Packaged system is easy to install, maintain and add additional circuits

Ideally Suited For

- Data centers
- Telecommunications
- Manufacturing



System Monitoring

The Liebert® RX is available with two monitoring options: at the panelboard level with Current Plus Monitoring (CPM) and at the panelboard level and the branch circuit level with Liebert Distribution Monitoring (LDMF).

Panelboard Monitoring:

The integral **Current Plus Monitoring (CPM)** optional display monitors the current and voltage of the panelboard. The display includes a monochrome LCD, power and alarm LEDs, audible alarm, and a silence push button. It provides true RMS measurements and battery backed memory.

Monitored parameters include:

- Voltage - Line-to-Line
- Voltage - Line-to-Neutral
- Neutral Current
- Ground Current
- kVA
- Power Factor
- Voltage Total Harmonic Distortion (THD)
- Current Total Harmonic Distortion (THD)
- Crest Factor

Branch Circuit Monitoring:

Advanced monitoring is available through the optional **Liebert Distribution Monitoring (LDMF)** display. This option provides a large LCD screen that allows viewing of monitored information for the panelboard as well as each individual branch circuit breaker. Alarm data may be viewed from this display for up-to-date breaker status. It provides true RMS measurements and battery backed memory.

Monitored parameters are the same as those for the CPM monitor, plus for each branch circuit:

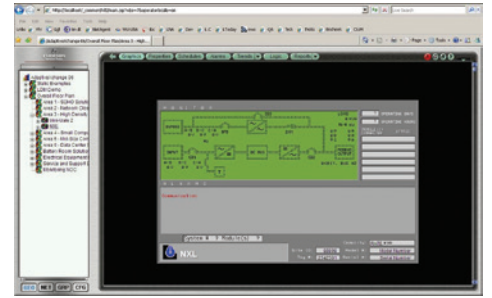
- Phase Current
- kW
- kW- hours
- Percent load



LDMF Monitoring Screen

Centralized Monitoring:

- An optional Liebert SiteScan® Web interface allows centralized monitoring of the Liebert RX.
- A Liebert IntelliSlot® Unity™ communications card allows monitoring via a Building Management System (BMS) or IT network with multiple protocols (SNMP, Modbus, BACnet) in one card.



High-Availability Configurations

The flexible Liebert RX is easily configured to accommodate current site needs and future growth.



Single, 1'x2', 84pole, 400A

- Wall mounted
- Back supported by column, unistrut, or wire cage



Double, 2'x2', 168pole, 2x400A

- Free standing
- Drop-in replacement for floor tile



Quadruple, 2'x4', 336pole, 4x400A

- Free standing
- Panelboards front, rear, both sides



Double, 1'x4', 168pole, 2x400A

- Wall mounted
- Back supported



Triple, 2'x3', 252pole, 3x400A

- Free standing
- Panelboards front, rear, one side

For ease of wiring organization and installation, the conduit-landing plates in the top and base of the unit feature 84 holes as standard. Optional configurations available: 56 holes for 1/2" conduit and 28 holes for 3/4" conduit.



Standard Features

Input/Output Voltages (VAC):

208Y/120, 220Y/127, 240Y/139
380Y/220, 400Y/230, 415Y/240, 480Y/277.

Input Frequency: 50 Hz, 60 Hz.

Input Connections: 4-wire plus ground.

Cable Access: Top and bottom-access for input and output cables. Top and base has 84 conduit-landing holes standard.

Service Access: Front.

Service Clearances: 36" front.

Cooling: Convection cooling only; no fans. Heat rejection through screened opening in top. Note: Minimum 18" clearance above unit.

Input Breaker: 100% rated 400Amp panelboard mains.

Panelboard: One 84-pole 400A panelboard.

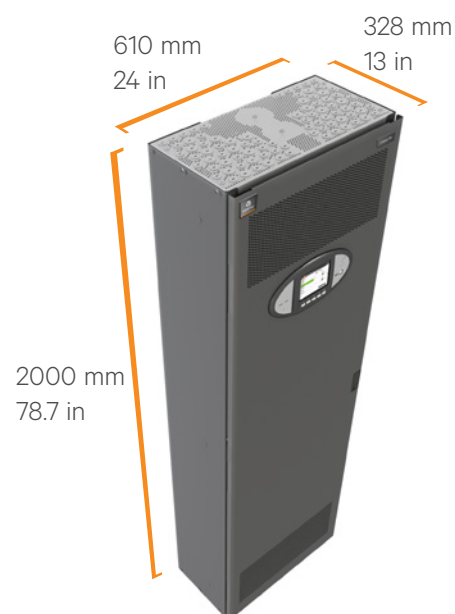
Grounding: Isolated neutral and safety-ground bus bars. Neutral bus and wiring sized 1.73 times load.

Agency Approvals: UL-60950, C-UL.

Base Dimensions: 24x12 inches, 610x305 mm.

Overall Dimensions (WxDxH): 24x13x78.7 inches 610x328x2000 mm.

Weight: 225 pounds (102 kilograms).



Optional Features

- Current Plus Monitoring (CPM) with display
- Liebert Distribution Monitoring (LDMF) with display
- Liebert IntelliSlot Unity communications card
- No panelboard main breaker
- ABB 42 pole Finger-safe panelboard

